

6.3 - Dryer application

MAIN BENEFITS OF THE OZONE FOR THE COAT

The ozone finds the better conditions to show its own action, when spreading on a damp and wet surface, in the same way as on the hair to dry.

The accessory "**ozo-hair**", applicable to the machine, hits the hair with a jet of lukewarm air rich in ozone (in controlled and safe concentration), drying with delicacy and peroxidizing and hygienising hair. The positive action of the ozone has already been known since a long time, and the direct action for a **fixed** maximum time as per program on the coathair, completes the utilization.

THE OZONE reduces the time of drying, and with a sweet massage of the skin, it also reactivates the micro-circulation of the cutis.

THE OZONE helps the formation of a layer of protective substances

THE OZONE reduces the electrostatics charge, through the ionisation process that takes place on the hair surface.

THE OZONE reduces dandruff and sebum. Such symptoms are generally associated with a mycotic proliferation and the unbalance of the bacterial flora and of the micro-circle. The ozone strengthens the conditions for the restoration of a micro-fibre and of a correct micro-circle.

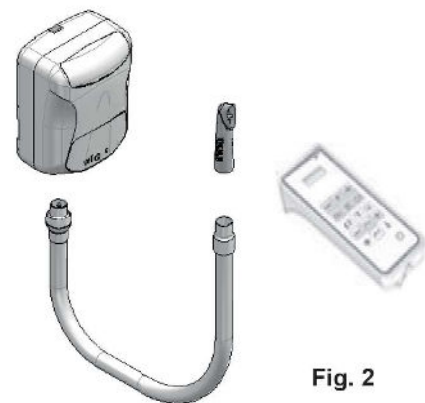
THE OZONE HAS BASIC CHARACTERISTICS FOR THE MODERN GROOMER. It has an important ant bactericidal action*, and the oxygenation increase, reaches the peripheral districts with a consequent assignment of the tissues.

Excellent benefits will be easily obtained by simple application: healthier hair, softer to touch and more shining. Regular utilizations will also permit to eliminate the bad smells, all with the maximum safety not having electrical contacts.

*The ozone antibacterial action, has been tested in the University of Siena – Italy -, and the test reports are at disposal on request

This specific application, of maximum duration of 20' (the first 5' with ozone), allows, through the appropriate spreader, a sanitation of the coat and skin.

It is recommended a gentle massage during the application



Use configuration fig. 4:
motor unit, connection tube, hair spreader,
remote control

Dryer Application

